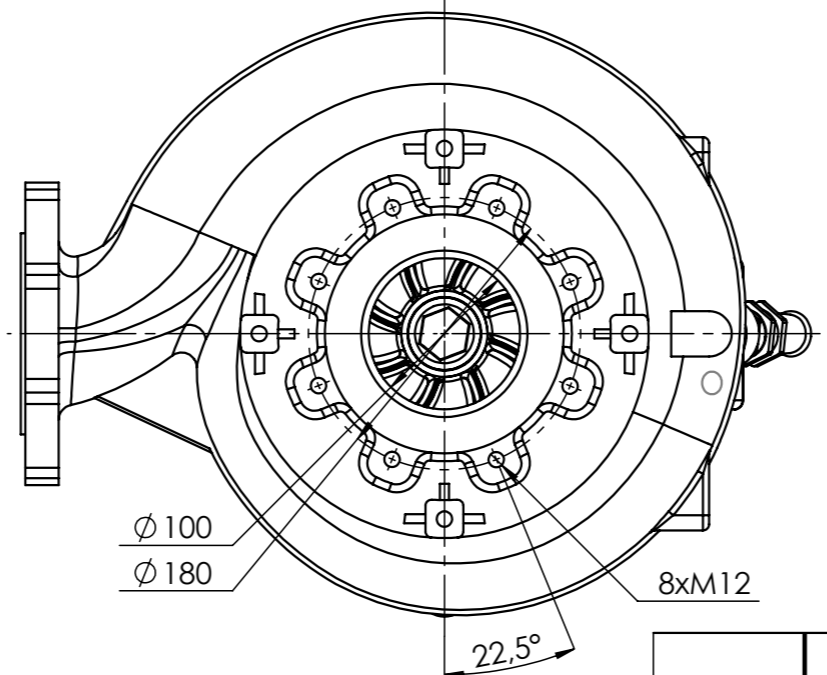
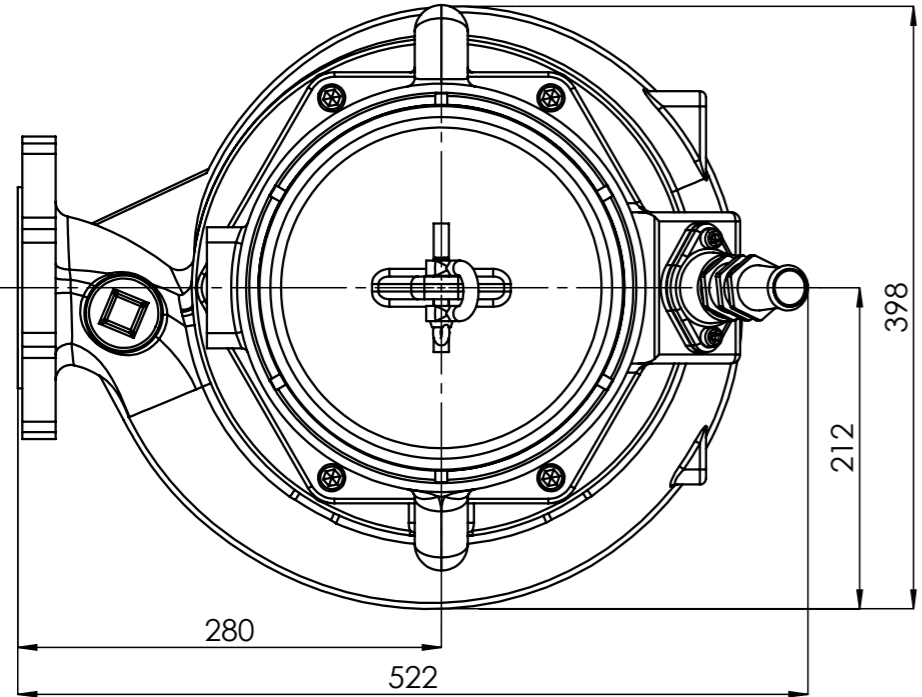


$\varnothing 80$   
 $\varnothing 160$   
 $\varnothing 200$   
 $22,5^\circ$  8xR9



$\varnothing 100$   
 $\varnothing 180$   
 $22,5^\circ$  8xM12

1:5	FZB.3.2010	3kW	HYDRO-VACUUM S.A. GRUDZIADZ ul. Droga Jeziora 8
		4kW	
		6p	
		132	