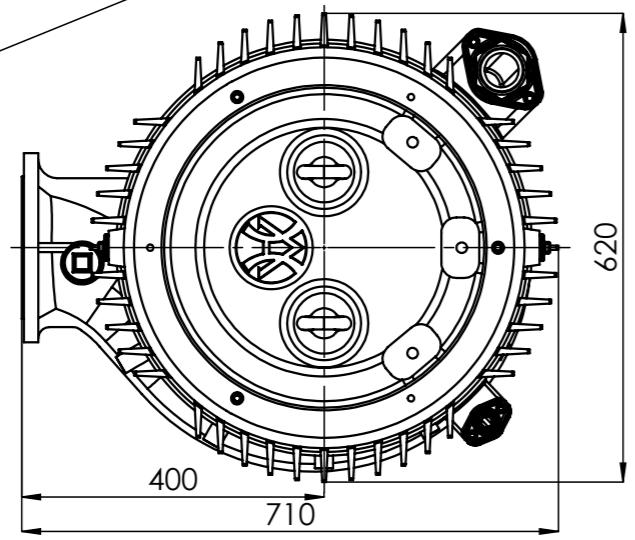


DN125 PN10  
 EN-1092

DN150 PN10  
 EN-1092



1:10	FZ(BCP).5.5210	110 kW	HYDRO-VACUUM S.A. GRUDZIADZ ul. Droga Jeziorna 8
		4p	
		250	