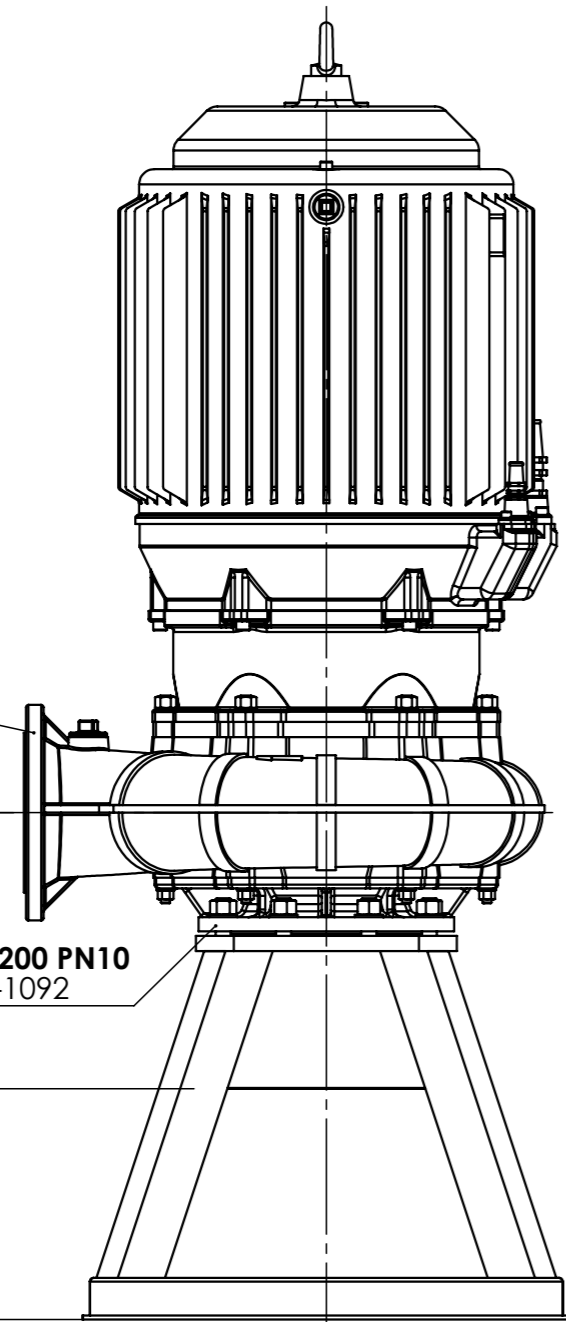


DN150 PN10
EN-1092

670

365

DN200 PN10
EN-1092



8x $\varnothing 22$

45°

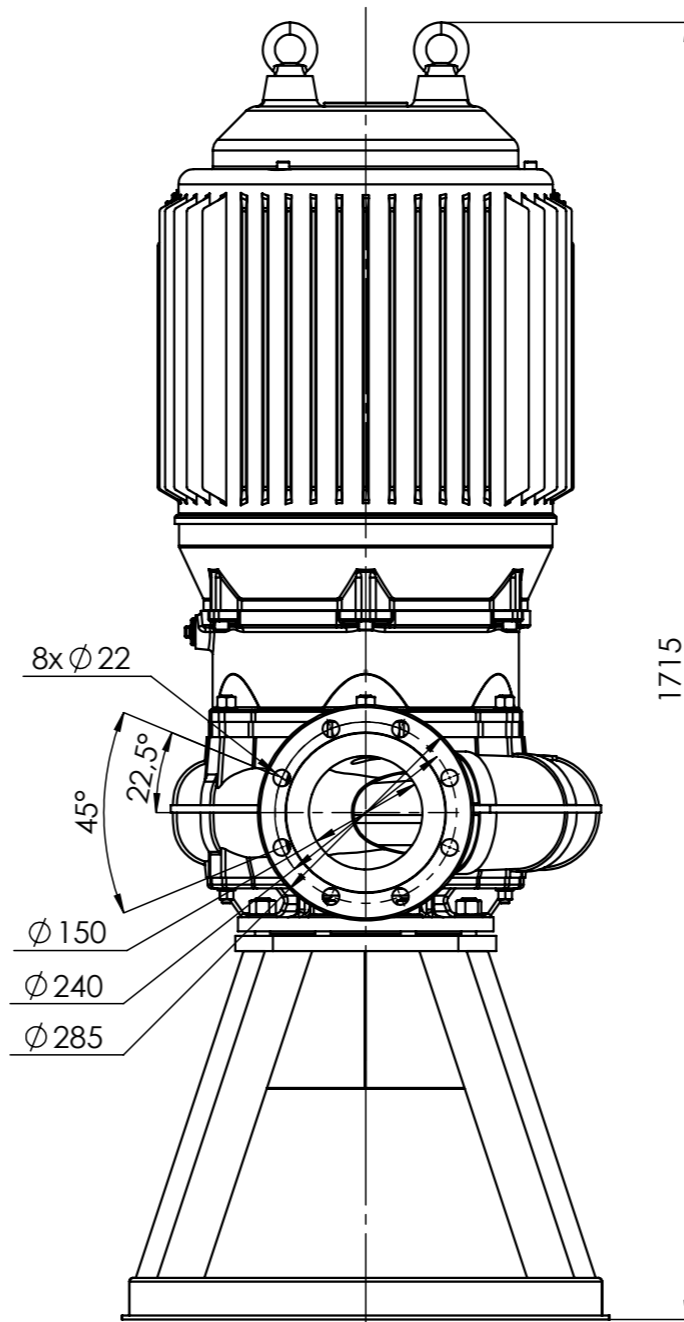
22.5°

$\varnothing 150$

$\varnothing 240$

$\varnothing 285$

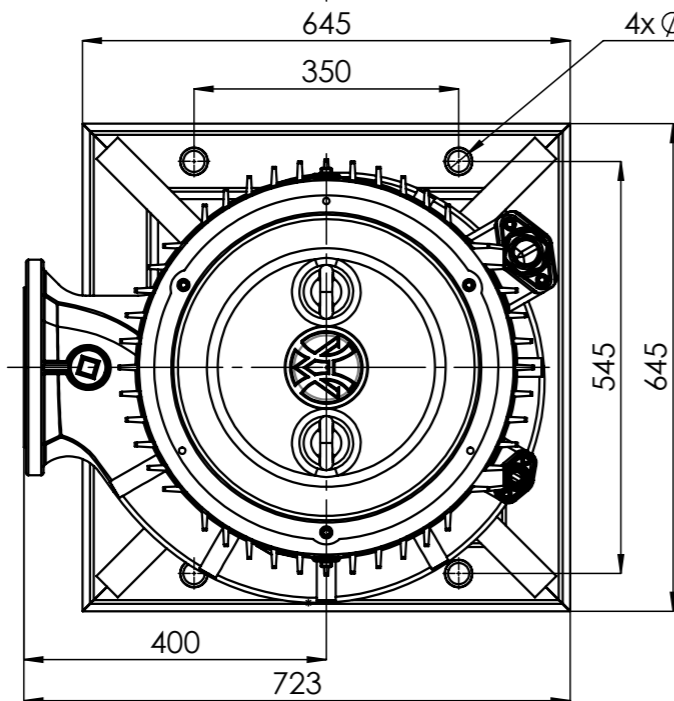
1715



4x $\varnothing 28$

645

350

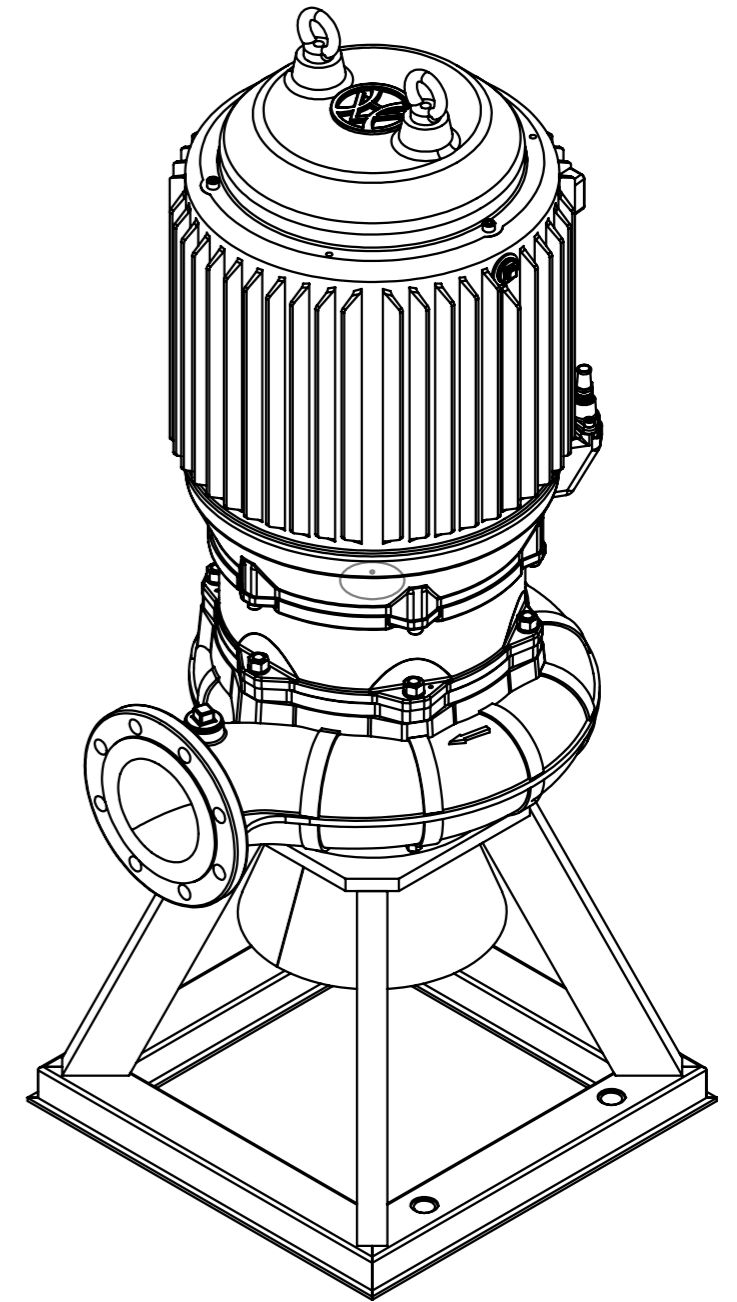


545

645

400

723



1:10	FZ(BCPV).6.5210	45 kW	HYDRO-VACUUM S.A. GRUDZIADZ ul. Droga Jeziora 8
		55 kW	
		4p	
		225	